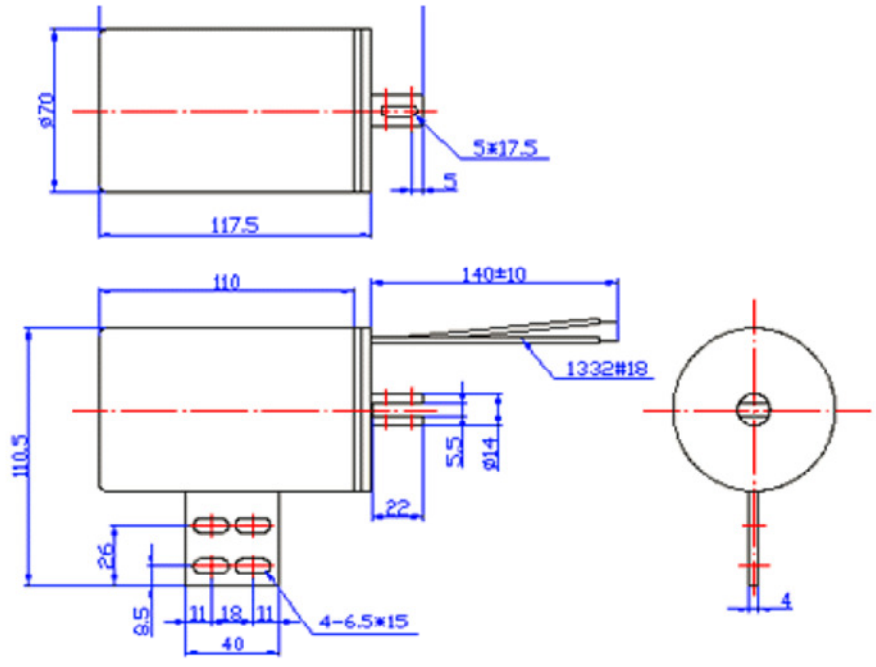
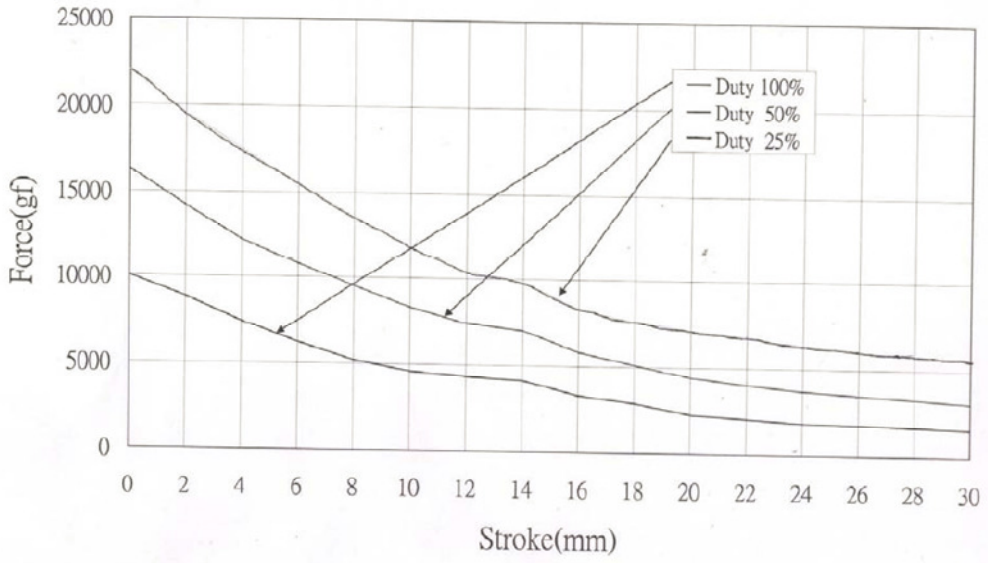
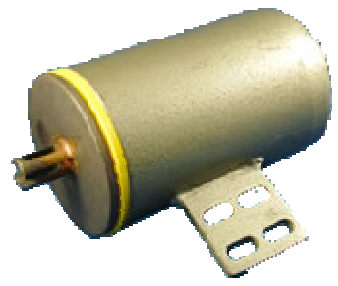


REVISIONS			
REV	DESCRIPTION	DATE	APPROVED



SPECIFICATION

Power at 100% Duty	30W
Max ON Time at 100%	Continuous
Power at 50% Duty	60W
Max ON Time at 50%	420 Seconds
Power at 25% Duty	120W
Max ON Time at 20%	100 Seconds
Weight (g)	2500g



		TS-70110 Tubular Solenoid		
		iNOVA Microsystems Pte Ltd #06-30, NorthStar @ AMK 7030 Ang Mo Kio Ave Singapore 569880 Email: sales@inovamicro.com Tel: (65)65703826 Fax: (65)62344235		
DRAWN Sunny Dec 2011	SIZE A4	FSCM NO	DWG NO	
SCALE		SHEET		1 OF 2